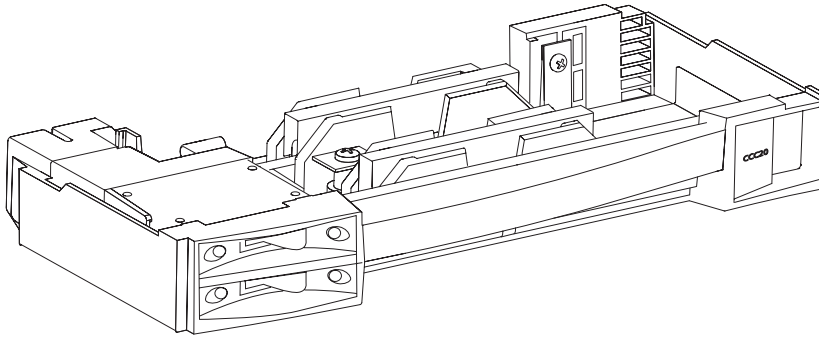




100V 120V



GENERAL INFORMATION

The Constant Module is a dual, plug-in assembly for use in both Sensor®+ and Unison® Dimming Series modular dimmer rack enclosures. The Constant module distributes power with overcurrent protection from the dimmer rack enclosure to non-dimmed loads, typically motors, backup and emergency systems or auxiliary power distribution panels.

APPLICATIONS

- Devices requiring constant current power
- Motors
- Backup and Emergency systems
- Auxiliary power distribution panels

FEATURES

- Two circuits per module
- Does not respond to control signals
- High-density modular assembly
- Die-cast aluminum chassis
- Fully magnetic circuit breakers

GENERAL

- 100,000A Short Circuit Current Rating (SCCR)
- UL and cUL LISTED

ORDERING INFORMATION

100-120 Volt Constant Current Modules

MODEL	DESCRIPTION
CC15	Dual 15A Constant Module
CC20	Dual 20A Constant Module

Compatible Systems

MODEL	DESCRIPTION
INSTALLATION RACKS	
SR3	Sensor3 Installation racks
SR+	Sensor+ Installation racks
SR	Sensor Installation racks
TOURING RACKS	
SP3	Sensor+ 24 module Touring Rack (48-20A dimmers)
SP+	Sensor+ 48 module Touring Rack (96-20A dimmers)
PORTABLE PACKS	
SP3	Sensor3 Portable Packs
SP+	Sensor+ Portable Packs



SPECIFICATIONS

GENERAL

- UL and cUL Listed for continuous duty at 100% of rated load
 - CC15 – 1.8kW
 - CC20 – 2.4kW
- Does not respond to control signals

PHYSICAL

- Modular plug-in assemblies
- Cast aluminum chassis, finished with textured epoxy paint
- Keyed to prevent insertion in inappropriately rated rack positions

CIRCUIT BREAKERS

- Fully magnetic to eliminate nuisance tripping
- 20x inrush current rating
- 125%, 10-120 seconds, must-trip rating
- Rated for 100% switching duty applications

RATINGS

- 100,000A Short Circuit Current Rating (SCCR)
- Replaceable fuse for short circuit protection and fault current coordination
- UL and cUL LISTED

EFFICIENCY

- Efficiency is >99%

PHYSICAL

Module Dimensions

MODEL	HEIGHT		WIDTH		DEPTH	
	inches	mm	inches	mm	inches	mm
CC15	1.5	38	11.8	300	4.9	127
CC20	1.5	38	11.8	300	4.9	127

Module Weights

MODEL	WEIGHT		SHIPPING WEIGHT	
	lbs	kgs	lbs	kgs
CC15	2.1	1.1	4.0	1.8
CC20	2.2	1.1	4.0	1.8

Maximum BTU Production per module

MODEL	BTUS	WATTS	EFFICIENCY
CC15/CC20	<10	<4	>99.0%

These values should be provided to a qualified HVAC design engineer, along with dimmer quantities, types and dimmer room dimensions, to calculate dimmer room air handling requirements.

Dimmer room HVAC systems must at all times maintain the specified ambient temperature **at the dimmer rack**. Dimming systems operating within 10°F of the upper or lower temperature limits must strictly follow installation and operation guidelines to operate reliably.



Corporate Headquarters • 3031 Pleasant View Rd, PO Box 620979, Middleton WI 53562 0979 USA • Tel +1 608 831 4116 • Fax +1 608 836 1736

London, UK • Unit 26-28, Victoria Industrial Estate, Victoria Road, London W3 6UU, UK • Tel +44 (0)20 8896 1000 • Fax +44 (0)20 8896 2000

Rome, IT • Via Pieve Torina, 48, 00156 Rome, Italy • Tel +39 (06) 32 111 683 • Fax +44 (0) 20 8752 8486

Holzkirchen, DE • Ohmstrasse 3, 83607 Holzkirchen, Germany • Tel +49 (80 24) 47 00-0 • Fax +49 (80 24) 47 00-3 00

Hong Kong • Room 1801, 18/F, Tower 1 Phase 1, Enterprise Square, 9 Sheung Yuet Road, Kowloon Bay, Kowloon, Hong Kong • Tel +852 2799 1220 • Fax +852 2799 9325

Web • www.etconnect.com • Copyright©2012 ETC. All Rights Reserved. All product information and specifications subject to change. 7050L1018 Rev. F USA 05/12

Sensor® products protected by one or more of the following U.S. Patent Numbers 5,323,088, 5,352,088, 7,233,112, 7,019,469, 6,849,943, and 6,002,563; European Number 0603333; German 69203609.