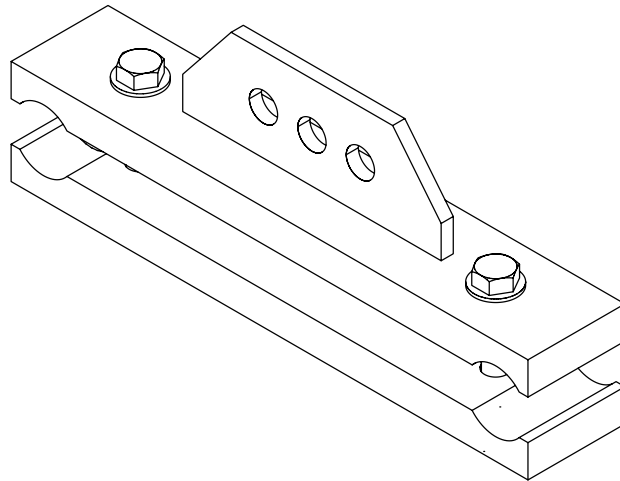
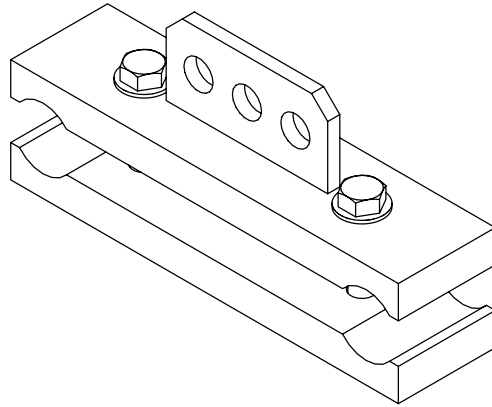




GRAPPLE HANGERS

12" & 16"
GRAPPLE HANGERS



MATERIAL	6061-T6 Aluminum
ATTACHMENT:	5/8" Grade 8 Nuts & Bolts
COLOUR	12" Natural, 16" Black Vein Powder Coat
FABRICATION	Fabricated by Certified Welders

WLL 2000lbs Vertical Load Only